

55" ANTONIO CAST IRON ROLL TOP TUB

Cat. No.
CTRH54



L: 54"
W: 30-1/8"
H: 24" (from floor to top of tub)
19-1/4" (from bottom of tub to top of tub)

Features:

- ▶ Inside finish is white enamel
- ▶ Tub exterior is white (epoxy)
- ▶ 3-3/8" centers in tub wall
- ▶ Continuous rolled rim
- ▶ Pre-drilled overflow hole
- ▶ Cast Iron ball and claw feet
- ▶ Non-skid strips
- ▶ Feet are attached and leveled before shipment
- ▶ Tub is thoroughly inspected before shipment

Foot Finishes:

UF Unfinished
BL Painted Black
BQ Painted Bisque
PB Polished Brass



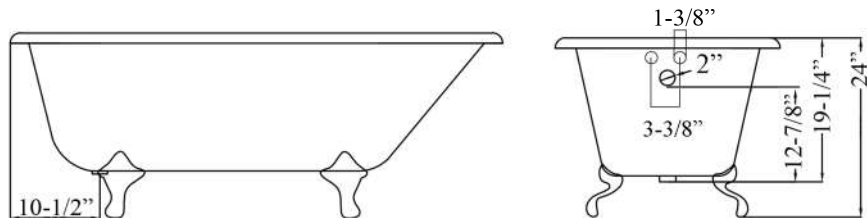
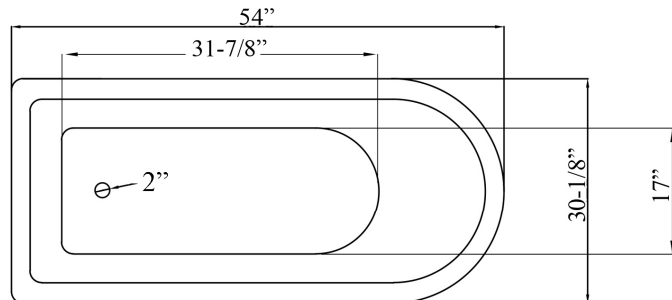
CP Polished Chrome
WH Painted White
PN Polished Nickel
SN Brushed Nickel
ORB Oil Rubbed Bronze

Custom Colors Available (inside of tub is always white enamel):
Painted bathtubs are considered "special order" and are not returnable
\$160 Bisque or Black \$250 Designer Color

The following is recommended for CTRH54 tubs with faucet holes:

- Tub wall-mounted faucets or hand-held showers: part# **4022, 4025, 4035**
- Tub wall-mounted faucets for use with risers: part# **4001, 4013, 4023, 4030, 4031**
- Double offset bath supplies: part #**5576**
- Leg tub drain: part #**5599**
- Complete shower unit: part# **4124, 4143**

Gallon Capacity: 36
Shipping Weight: 475 lbs.
Empty Weight: 247 lbs.
Filled Weight: 547 lbs.



TUB WALL MOUNTED FAUCET WITH HAND SHOWER

Cat. No.

4025

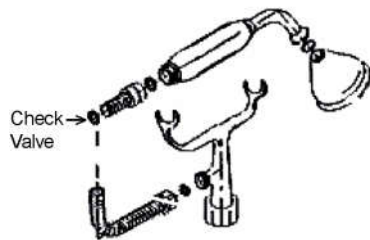


W: 9"

H: 12-1/2"

Depth from back of faucet to front of faucet: 7-1/2"

Depth from wall to front of faucet: 5-1/2"



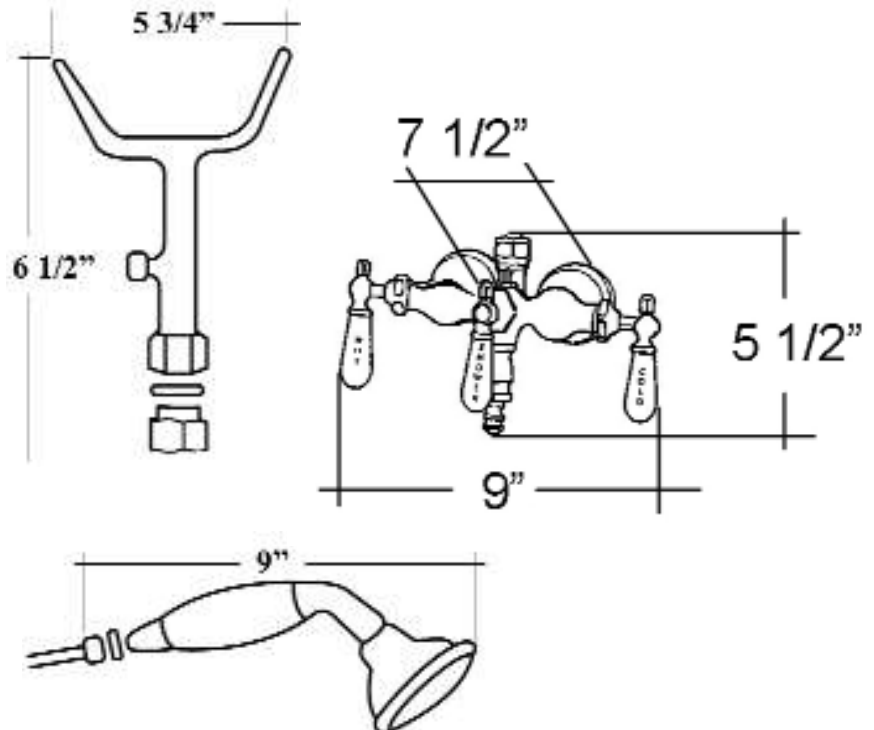
Features:

- ▶ Old style spigot
- ▶ Handheld shower with cradle and 59" Hose
- ▶ Backflow preventer on handshower
- ▶ 3-3/8" Centers on tub wall
- ▶ Centers can be adjusted out to 9" with use of part #4501 (Swivel arms)
- ▶ 1/4 Turn ceramic disc cartridges
- ▶ Flow rate is 3.8 GPM
- ▶ Flow rate for handshower is 1.8 GPM
- ▶ To be used with double offset bath supplies: part #5576
- ▶ Can be used with freestanding bath supplies part #4502-PL

Finishes:

CP Polished Chrome
BP Polished Brass
SN Brushed Nickel

PN Polished Nickel
ORB Oil Rubbed Bronze



Dimensions are nominal and may vary. Dimensions and specifications subject to change without notice.

DOUBLE OFFSET BATH SUPPLIES

Cat.No.
5576



H: 24"

OD: 1/2"

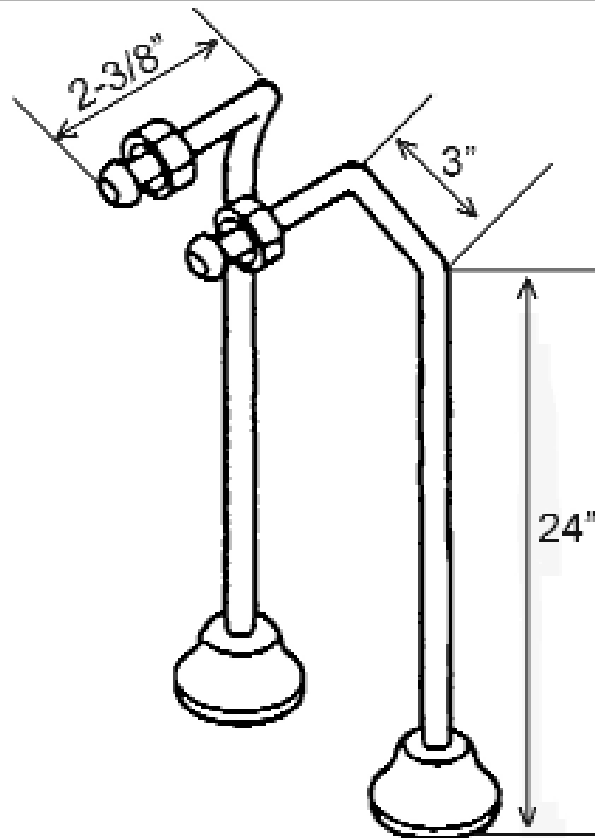
Features:

- ▶ For use with faucets mounted to the tub wall
- ▶ No Stops
- ▶ 1/2" Compression inlet
- ▶ 3/4" Compression outlet
- ▶ 0.500" Outer diameter
- ▶ 0.440" Inner diameter
- ▶ 0.030" Thickness of the wall
- ▶ Available in 5 finishes

Compliance Certification
Meets or exceeds the following specifications: ASME-A112 (and 19.6M) for Vitreous china fixtures. ASME 112.19.9M for fire clay fixtures.

Finishes:

- | | | | |
|------------|-------------------|-----------|-----------------|
| CP | Polished Chrome | PN | Polished Nickel |
| PB | Polished Brass | BN | Brushed Nickel |
| ORB | Oil Rubbed Bronze | | |



Use on concrete floors requires special installation. We recommend using a plumbing professional.

Dimensions and specifications subject to change without notice.

LEG TUB DRAIN

Cat. No.
5599



Escutcheon Height: 1-1/4"

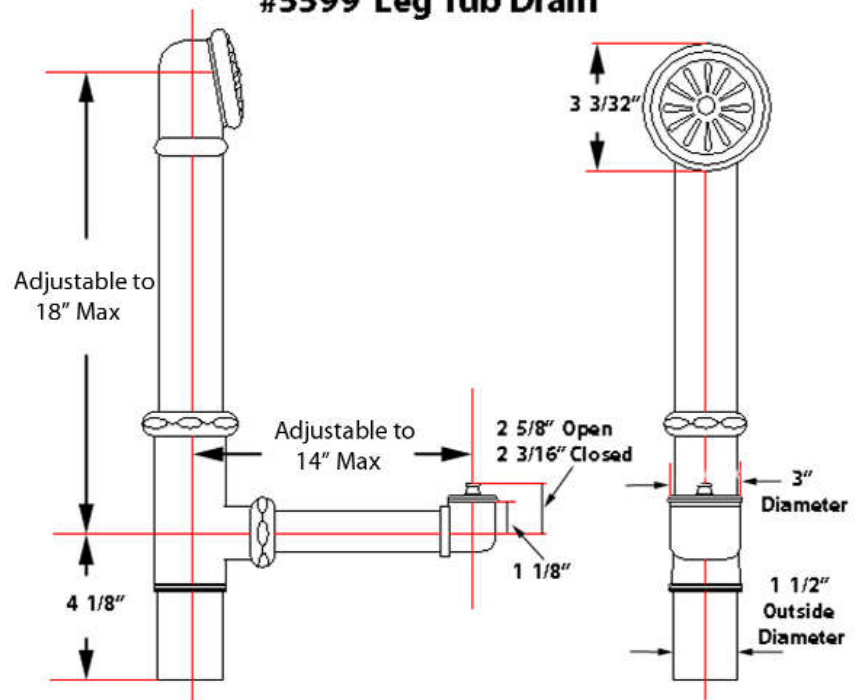
Features:

- ▶ Brass Construction
- ▶ Twist-and-lift stopper
- ▶ Includes deep escutcheon
- ▶ Height adjustable 15"-18"
- ▶ Depth adjustable 12"-14"
- ▶ Includes deep escutcheon
- ▶ Available in 5 Finishes

Finishes:

- CP** Polished Chrome
- BP** Polished Brass
- SN** Brushed Nickel
- PN** Polished Nickel
- ORB** Oil Rubbed Bronze

#5599 Leg Tub Drain



Dimensions and specifications subject to change without notice.